

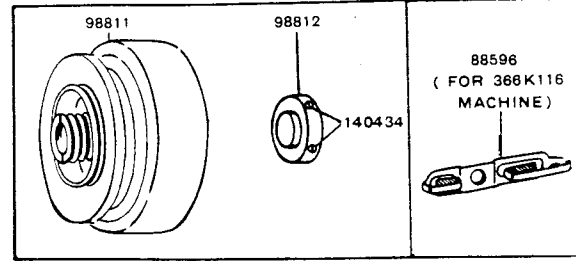
SINGER
366K116,K135,K215

SINGER*

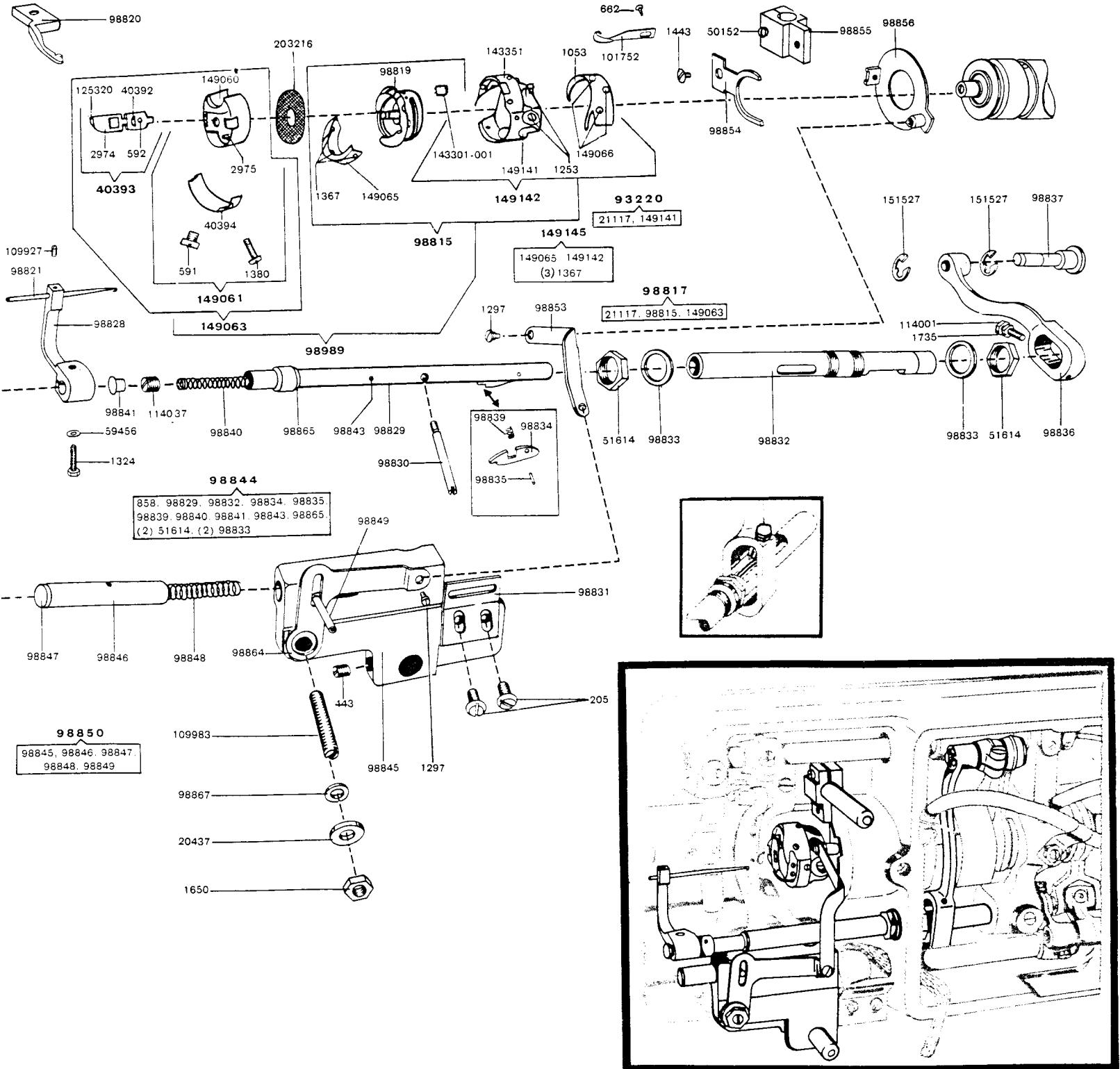
366K116, 366K135 AND 366K215

FOR BASIC MACHINE PARTS REFER: FORM K6579—366K116
and 366K215

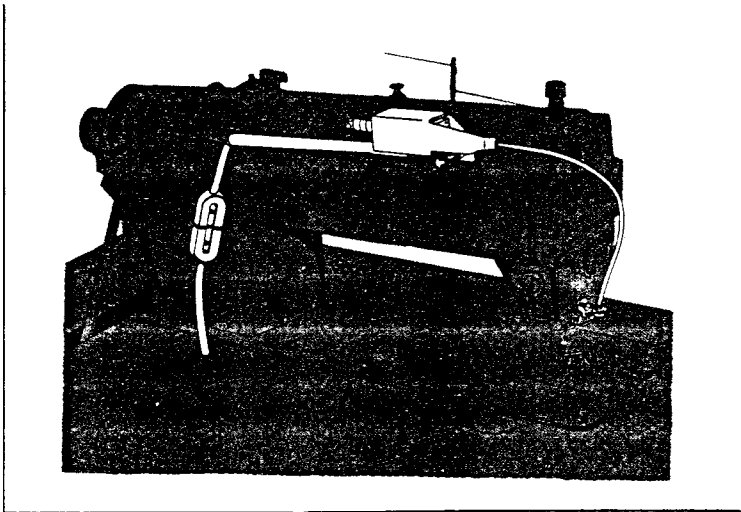
FORM K6614—366K135



THREAD PULLING AND CUTTING MECHANISM PARTS

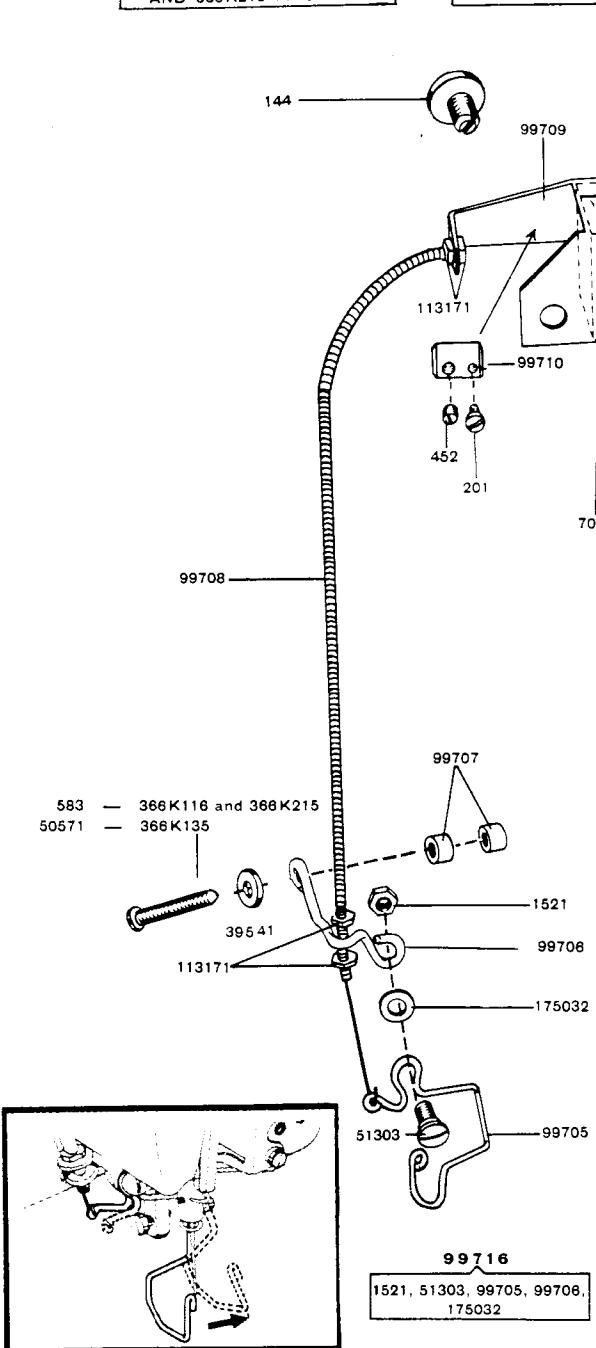


THREAD WIPER PARTS



No. 99717
**THREAD WIPER MECHANISM
 COMPLETE FOR 366K116
 AND 366K215 MACHINES**

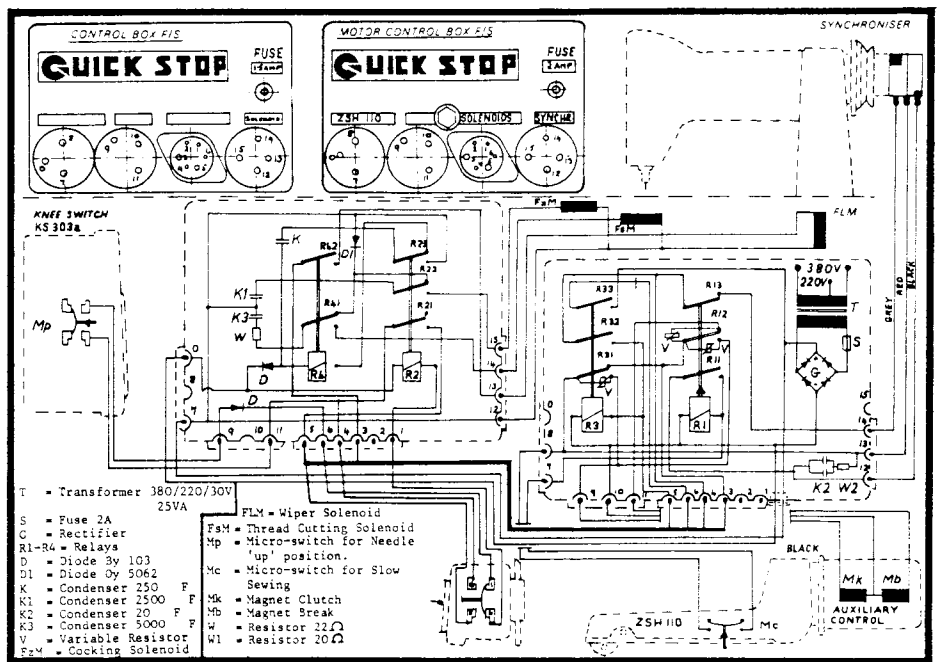
No. 99770
**THREAD WIPER MECHANISM
 COMPLETE FOR 366K135
 MACHINE**

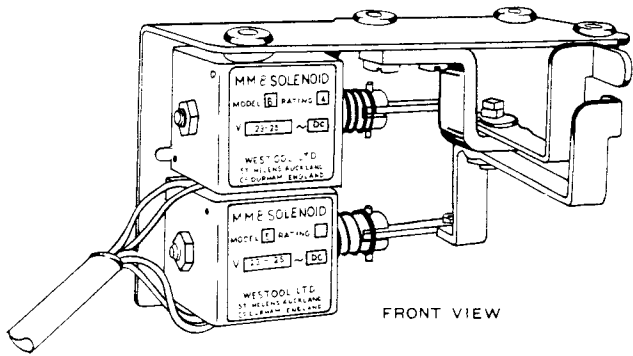


99715
 99708, 99709, 99710, 99711,
 99730, 99731, 99732, 99733,
 (2) 7071, (2) 114022, (4) 113171

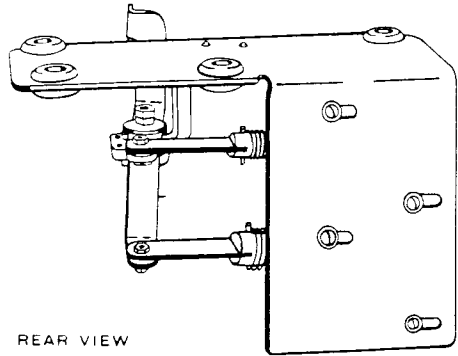
99735 99734
99764

WIRING DIAGRAM



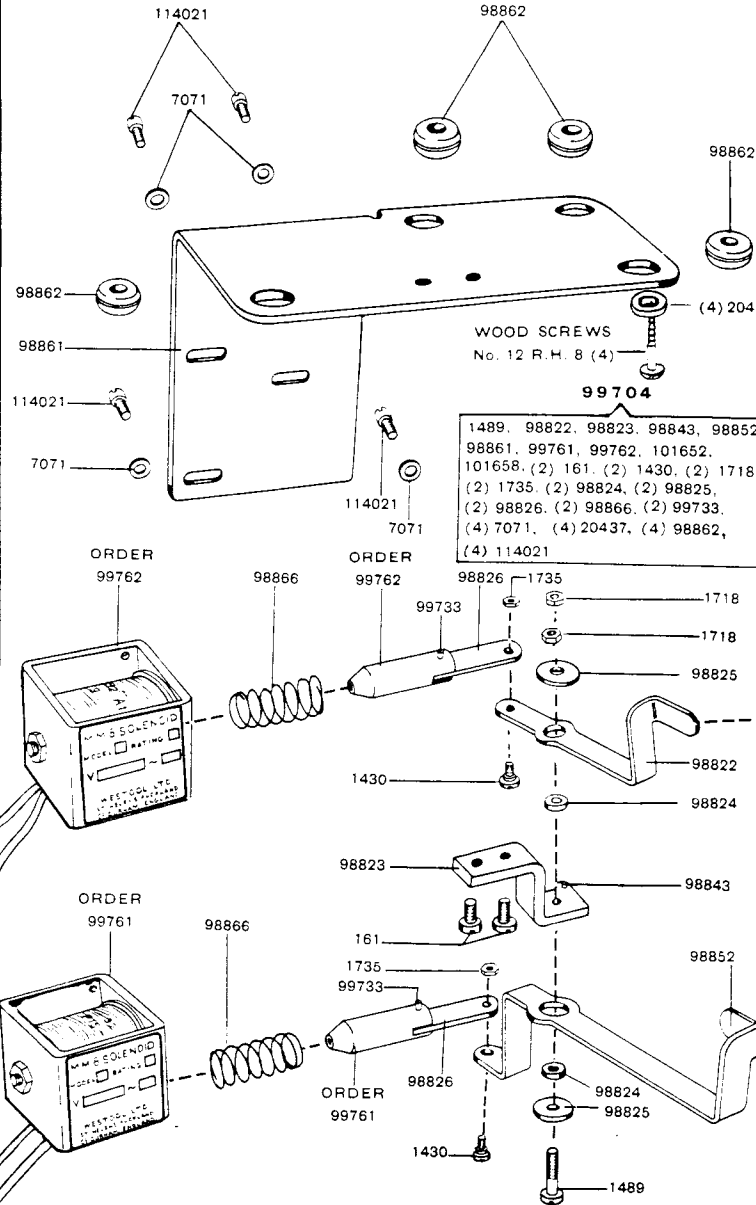


FRONT VIEW

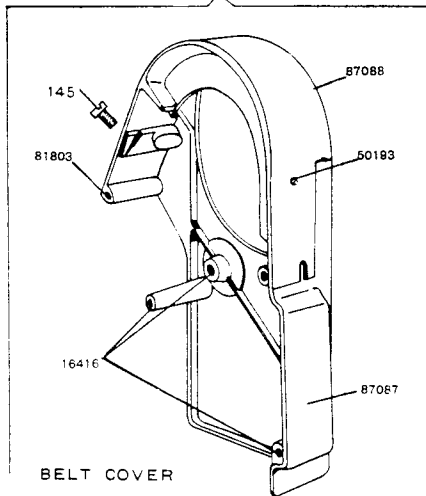


REAR VIEW

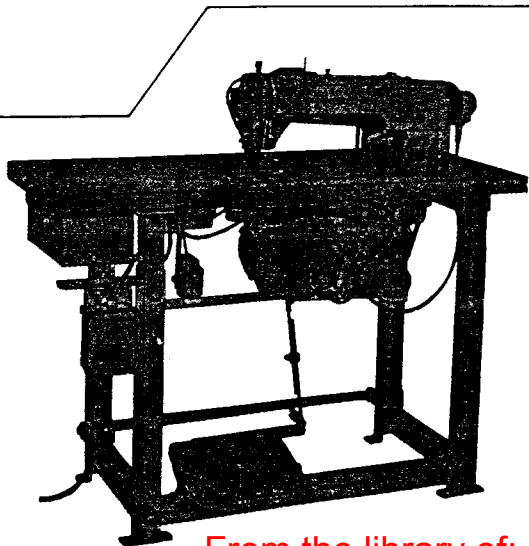
SOLENOID UNIT PARTS



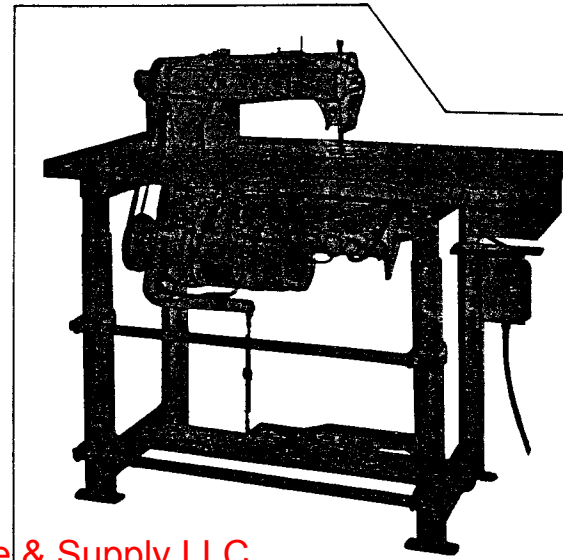
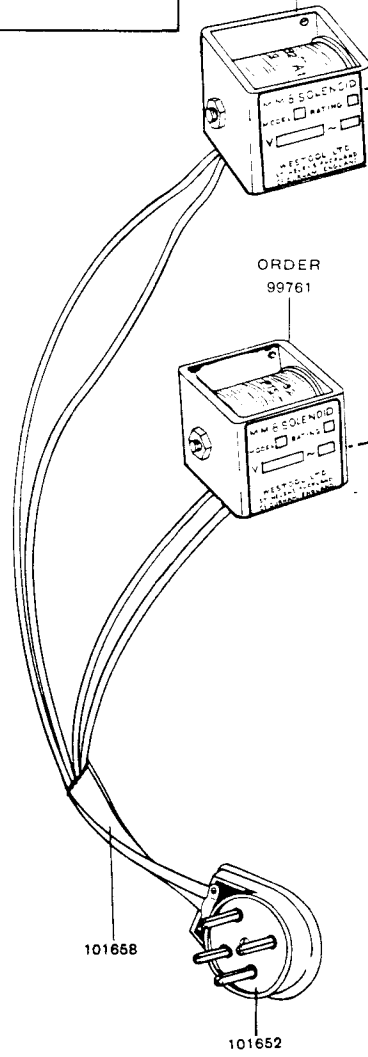
101867



BELT COVER



FRONT VIEW OF COMPLETE UNIT



REAR VIEW OF COMPLETE UNIT

THREAD PULLING AND CUTTING MECHANISM PARTS

205	Thread Puller Shaft Guide Pin Bracket Fastening Screw
443	Trimmer Body Fastening Screw
591(806)	Rotating Hook Bobbin Case Tension Regulating Screw
592(805)	Rotating Hook Bobbin Case Latch Stop Screw
662	Trimming Knife Fastening Screw
1053(805)	Rotating Hook Thread Guard Screw
1253(830)	Rotating Hook Set Screw
1297	Trimming Knife Connecting Link Screw
1297	Trimming Knife Actuating Link Screw
1324	Thread Puller Hook Carrier Clamp Screw
1367(805)	Rotating Hook Section Screw
1380(805)	Rotating Hook Bobbin Case Tension Spring Screw
1443	Trimming Knife Leaf Spring Securing Screw
1650	Trimmer Body Fixing Screw Stud Nut
1735(813)	Trimming Knife Actuating Lever Connecting Link Hinge Screw Lock Nut
2974	Rotating Hook Bobbin Case Latch Lever Fulcrum Pin
2975	Rotating Hook Bobbin Case Latch Spring
20437	Trimmer Body Fixing Screw Stud Washer
40392	Rotating Hook Bobbin Case Latch
40393	Rotating Hook Bobbin Case Latch Hinge Nos. 2974, 40392 and 125320
40394	Rotating Hook Bobbin Case Tension Spring
50152	Trimming Knife Leaf Spring Holder Clamping Screw
51614	Thread Puller Shaft Housing Clamp Nut
59456	Thread Puller Hook Carrier Clamp Screw Washer
93220	Rotating Hook (air cooled) 149141 with 21117 (for agents only)
98811	Machine Pulley with two 51283
98812	Machine Pulley Adaptor with two 140434
98815	Rotating Hook (air cooled) 149142 with 98819, 149065 and three 1367(805)
98817	Rotating Hook (air cooled) 98815 with 21117 and 149063 (for agents only)
98819	Rotating Hook Bobbin Case Holder
98820	Rotating Hook Bobbin Case Holder Position Bracket
98821	Thread Puller Hook
98828	Thread Puller Hook Carrier with 1324, 59456 and 109927
98829	Thread Puller Shaft
98830	Thread Puller Shaft Guide Pin
98831	Thread Puller Shaft Guide Pin Bracket
98832	Thread Puller Shaft Housing
98833	Thread Puller Shaft Housing Washer (nylon)
98834	Thread Puller Shaft Latch
98835	Thread Puller Shaft Latch Pivot Pin (spirol)
98836	Thread Puller Shaft Latch Releasing Link with 1735 and 114001
98837	Thread Puller Shaft Latch Releasing Link Hinge Pin
98839	Thread Puller Shaft Latch Spring
98840	Thread Puller Shaft Spring
98841	Thread Puller Shaft Spring Retaining Plug (nylon)
98843	Thread Puller Shaft Spring Stop Pin (spirol) (3/32" dia.)
98844	Thread Puller Shaft Sub-Assembly complete, Nos. 858, 98829, 98832, 98834, 98835, 98839, 98840, 98841, 98843, 98865, two each 51614 and 98833
98845	Trimmer Body with 443
98846	Trimmer Body Plunger
98847	Trimmer Body Plunger Plug (nylon)
98848	Trimmer Body Plunger Spring
98849	Trimmer Body Plunger Spring Stop Pin (roll pin)
98850	Trimmer Body complete, Nos. 98845 to 98849
98853	Trimming Knife Connecting Link
98854	Trimming Knife Leaf Spring
98855	Trimmer Knife Leaf Spring Holder with 50152
98856	Trimming Knife Holder
98864	Trimming Knife Actuating Link
98865	Thread Puller Shaft Washer
98867	Trimming Knife Actuating Lever Spacing Washer
98989	Rotating Hook with Bobbin Case, Nos. 98815 149063 and 203216

THREAD PULLING AND CUTTING MECHANISM PARTS

101752 Trimming Knife (adjustable)
109927 Thread Puller Hook Set Screw
109983 Trimmer Body Fixing Screw Stud
114001 Thread Puller Shaft Latch Releasing Link Adjusting Screw
114037 Thread Puller Shaft Spring Adjusting Screw
125320 Rotating Hook Bobbin Case Latch Lever
140434 Machine Pulley Adaptor Set Screw
143301-001 Rotating Hook Oil Wick (felt)
143351 Rotating Hook Wiper
149060 Rotating Hook Bobbin Case
149061 Rotating Hook Bobbin Case 149060 with 591(806), 1380(805),
and 40394
149063 Rotating Hook Bobbin Case complete, Nos. 592(805), 2975,
40393 and 149061
149065 Rotating Hook Section
149066 Rotating Hook Thread Guard
149141 Rotating Hook (air cooled) with two 1253(830)
149142 Rotating Hook (air cooled) 149141 with 143351, 149066 and
four 1053(805)
149145 Rotating Hook (air cooled) 149142 with 149065 and three
1367(805) (for agents only)
151527 Thread Puller Shaft Latch Releasing Link Hinge Pin Retaining
Circlip
203216 Rotating Hook Bobbin Case Washer (cloth)

THREAD WIPER PARTS

144(809) Thread Wiper Solenoid Mounting Bracket Screw
201 Thread Wiper Solenoid Push Rod Securing Screw
452 Thread Wiper Actuating Cable Securing Screw
583(809) Thread Wiper Arm Mounting Bracket Securing Screw
1521(809) Thread Wiper Arm Hinge Screw Nut
7071 Thread Wiper Solenoid Securing Screw Washer
39541(809) Thread Wiper Arm Mounting Bracket Securing Screw
Washer
50571(809) Thread Wiper Arm Mounting Bracket Securing Screw
51303(809) Thread Wiper Arm Hinge Screw
99705(810) Thread Wiper Arm
99706(810) Thread Wiper Arm Mounting Bracket
99707(809) Thread Wiper Arm Mounting Bracket Securing Screw
Collar
99708 Thread Wiper Actuating Cable
99709 Thread Wiper Solenoid Mounting Bracket
99710 Thread Wiper Actuating Cable Connector
with 201 and 452
99711 Thread Wiper Solenoid Return Spring
99715 Thread Wiper Solenoid Mounting Bracket Assembly,
Nos. 99708, 99709, 99710, 99711, 99730, 99731,
99732, 99733, two each 7071, 114022 and four
113171
99716 Thread Wiper Arm Mounting Bracket Assembly, Nos.
1521(809), 51303(809), 99705(810), 99706(810),
and 175032(809)
99717 Thread Wiper Mechanism complete, Nos. 144(809),
583(809), 98825, 99715, 99716, 99764 and two
99707(809) for 366K116 and 366K215 Machines
99730 Thread Wiper Solenoid
99731 Thread Wiper Solenoid Lead Insulating Cover
99732 Thread Wiper Solenoid Lead Plug
99733 Thread Wiper Solenoid Return Spring Retaining
Pin
99734 Thread Wiper Solenoid Supply Lead
99735 Thread Wiper Solenoid Supply Lead Socket
99764 Thread Wiper Solenoid Supply Lead 99734 with 99735
99770 Thread Wiper Mechanism complete, Nos. 144(809),
50571(809), 98825, 99707, 99715, 99716 and 99764
for 366K135 and 366K136 Machines
113171 Thread Wiper Actuating Cable Securing Nut
114022 Thread Wiper Solenoid Securing Screw
175032 Thread Wiper Arm Hinge Screw Washer

SOLENOID UNIT PARTS

161(813)	Thread Puller Hook Actuating Lever and Trimming Knife Actuating Lever Hinge Bracket Fixing Screw
1430(813)	Thread Puller Hook Actuating Lever Connecting Link Hinge Screw
1430(813)	Trimming Knife Actuating Lever Connecting Link Hinge Screw
1489(841)	Thread Puller Hook Actuating Lever and Trimming Knife Actuating Lever Hinge Bracket Hinge Screw
1718(813)	Thread Puller Hook Actuating Lever and Trimming Knife Actuating Lever Hinge Bracket Hinge Screw Lock Nut
1735(813)	Thread Puller Hook Actuating Lever Connecting Link Hinge Screw Lock Nut
1735(813)	Trimming Knife Actuating Lever Connecting Link Hinge Screw Lock Nut
7071	Thread Puller Hook Cocking Solenoid Securing Screw Washer
7071	Trimming Knife Actuating Solenoid Securing Screw Washer
20437	Solenoid Mounting Bracket Wood Screw Washer
98822(813)	Thread Puller Hook Actuating Lever
98823	Thread Puller Hook Actuating Lever and Trimming Knife Actuating Lever Hinge Bracket
98824	Thread Puller Hook Actuating Lever and Trimming Knife Actuating Lever Hinge Bracket Hinge Screw Spacer
98825(813)	Thread Puller Hook Actuating Lever and Trimming Knife Actuating Lever Washer
98826(841)	Thread Puller Hook Actuating Lever Connecting Link
98826(841)	Trimming Knife Actuating Lever Connecting Link
98843	Thread Puller Hook Actuating Lever and Trimming Knife Actuating Lever Stop Pin
98852(813)	Trimming Knife Actuating Lever
98861	Solenoid Mounting Bracket
98862	Solenoid Mounting Bracket Grommet
98866	Thread Puller Hook Cocking Solenoid Return Spring
98866	Trimming Knife Actuating Solenoid Return Spring
99704	Solenoid Mounting Bracket Assembly complete, Nos. 1489(841), 98822, 98823, 98843, 98852, 98861, 99761, 99762, 101652, 101658, two each 161(813), 1430(813), 1718(813), 1735(813), 98824, 98825, 98826, 98866, 99733, four each 7071, 20437, 98862, 114021(809) and wood screws No. 12 R.H.B.
99733	Thread Puller Hook Cocking Solenoid Return Spring Retaining Pin
99733	Trimming Knife Actuating Solenoid Return Spring Retaining Pin
99761	Trimming Knife Actuating Solenoid
99762	Thread Puller Hook Cocking Solenoid
101652	Solenoid Unit Plug (4 Pin)
101658	Solenoid Unit Lead
114021	Thread Puller Hook Cocking Solenoid Securing Screw
114021	Trimming Knife Actuating Solenoid Securing Screw
-	Wood Screws No. 12 R.H.B.

BELT COVER

145(809)	Belt Cover Fixing Screw (back)
16416	Belt Cover (bottom half) Rest Pad
50193(809)	Belt Cover Fixing Screw (front)
81803	Belt Cover (bottom half) Locating Pad (small)
87087	Belt Cover (bottom half)
87088	Belt Cover (top half)
101867	Belt Cover complete, Nos. 145(809), 50193(809), 81803, 87087(728) and three 16416

88596 Thread Eyelet and Thread Guard (front
for arm) for 36K116 Machine